

CMRI CERT NO. :- CIMFR/TC/SR/H483
 SUPPLE. T.C. NO. :- CIMFR/TC/S/H144
 CAT. NO./TYPE NO. :- KJB-A-02

TECHNICAL DATA

ENCLOSURE :-
 EX-d AS PER IS/IEC 60079-1:2007

PROTECTION :-
 IP-66 AS PER IS 12063-1987 (IS/IEC 60529:2001)

AREA CLASSIFICATION :-
 ZONE -1 & 2

TEMPERATURE CLASS :-
 T6

GAS GROUPS :-
 IIB

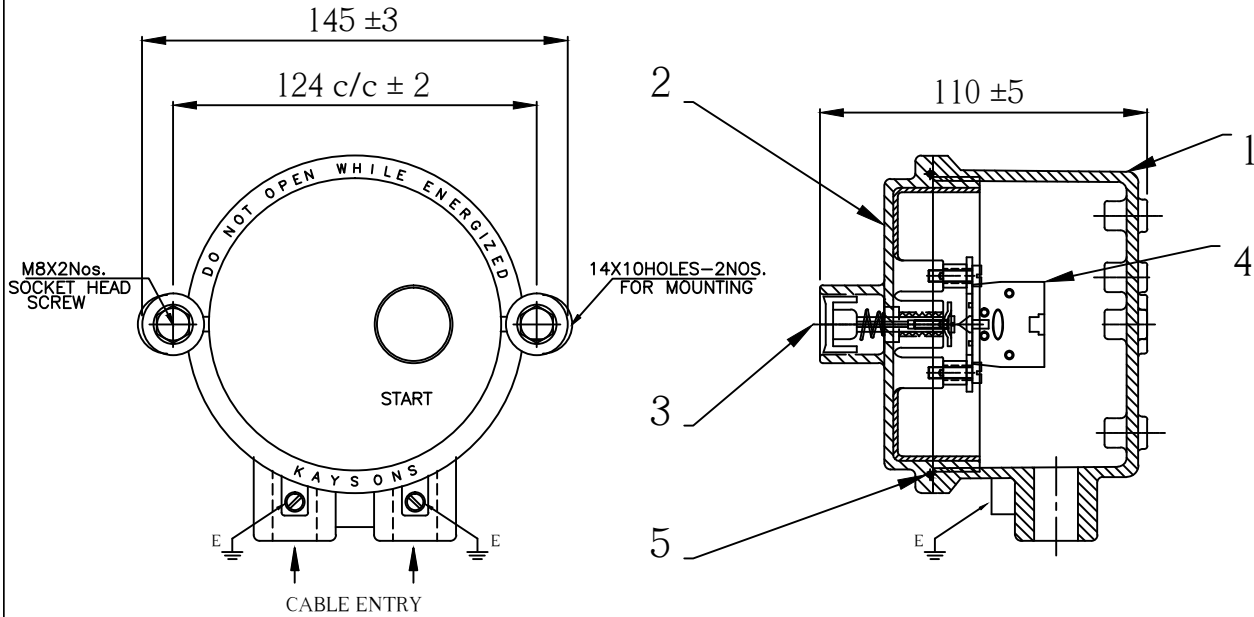
MATERIAL OF CONSTRUCTION :-
 DIE CAST AL. ALLOY LM-6

HARDWARE :-
 STEEL ZINC PLATED/STAINLESS STEEL

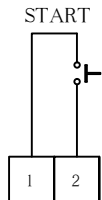
FINISH :-
 LIGHT GREY

EARTHING :-
 1 NO. INSIDE & 2 NOS. OUTSIDE

CABLE ENTRY :-
 M20x1.5P / 3/4"ET - 2NOS.



WIRING DIAGRAM



NO.	DESCRIPTION	QTY	MAT./RATING
05.	GASKET (ENDLESS, MOULDED)	1	NEOPRENE
04.	CONTACT ELEMENTS (1NO)	1	-
03.	ACTUATOR GREEN SHROUDED	1	P.P.
02.	MAIN BODY COVER	1	DIE CAST AL. ALLOY
01.	BODY	1	DIE CAST AL. ALLOY

CLIENT :-	DRAWN	KBP	1.8.13	DESCRIPTION:- FLP WP CONTROL STATION WITH START PUSH BUTTON
CONSULTANT :-	APP'D	HPB	1.8.13	
P.O.NO. :-	CH'D	NPB	1.8.13	
SHT.NO. 1 OF 1 REV. 0 DRG.NO.:- B23				

THE INFORMATION CONTAINED IN THIS DRAWING IS THE PROPERTY OF KAYSONS TECHNO EQUIPMENTS PVT. LTD. AND IS NOT TO BE COPIED OR MISUSED IN ANY WAY.

ISSUE	DATE	BY	MODIFICATION

KAYSONS 1802/7, G.I.D.C. ESTATE,
 TECHNO EQUIPMENTS PVT LTD V.U.NAGAR 388121. (GUJARAT)